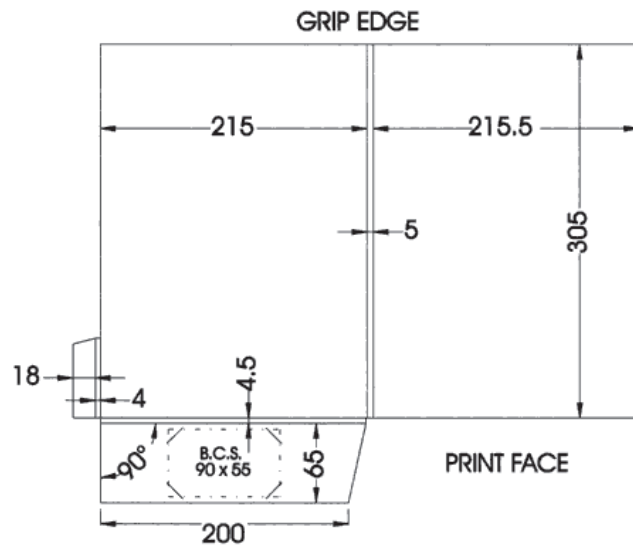
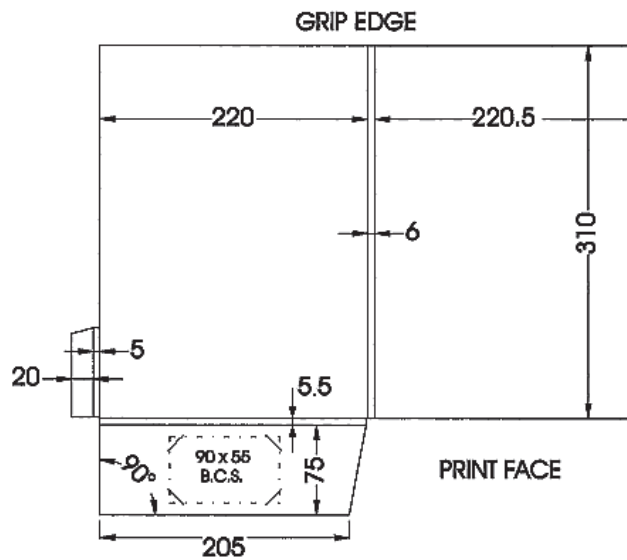


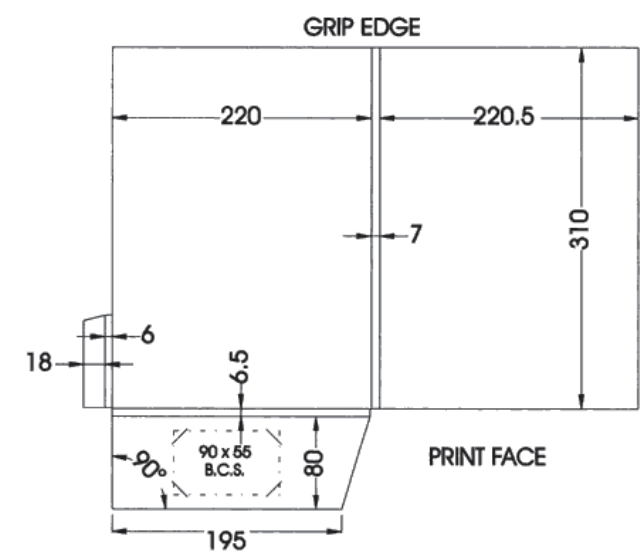
**C1 305 x 215 x 65mm - 5mm Spine**  
 Minimum Sheet Size: 490x 405mm  
 Glue Flap Pocket- Double Gussets



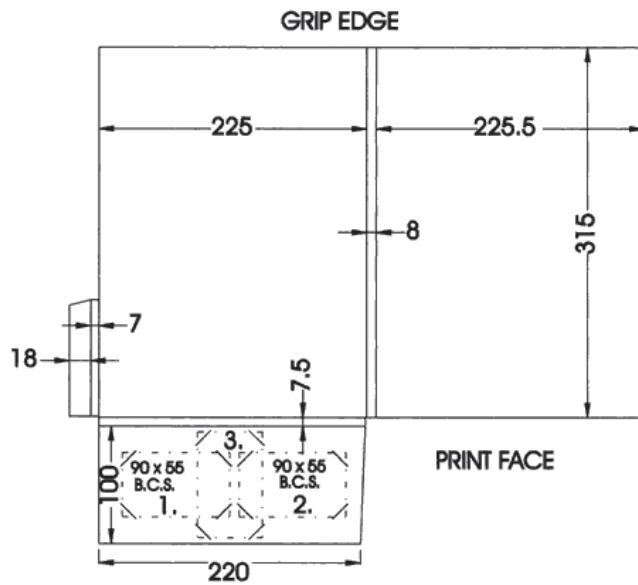
**C2 310 x 220 x 75mm - 6mm Spine**  
 Minimum Sheet Size: 500 x 420mm  
 Glue Flap Pocket- Double Gussets



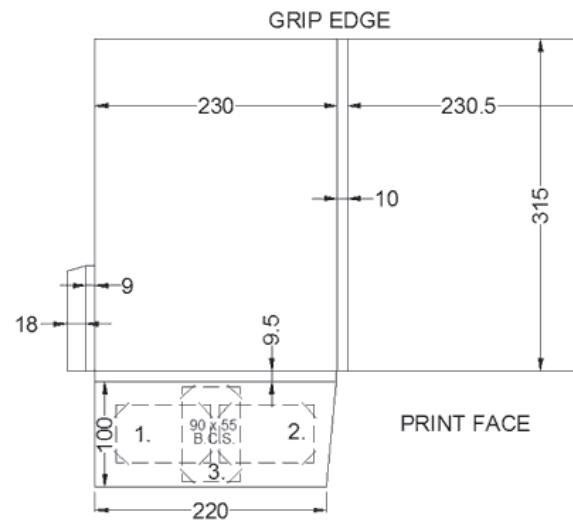
**C3 310 x 220 x 80mm - 7mm Spine**  
 Minimum Sheet Size: 500x 425mm  
 Glue Flap Pocket- Double Gussets



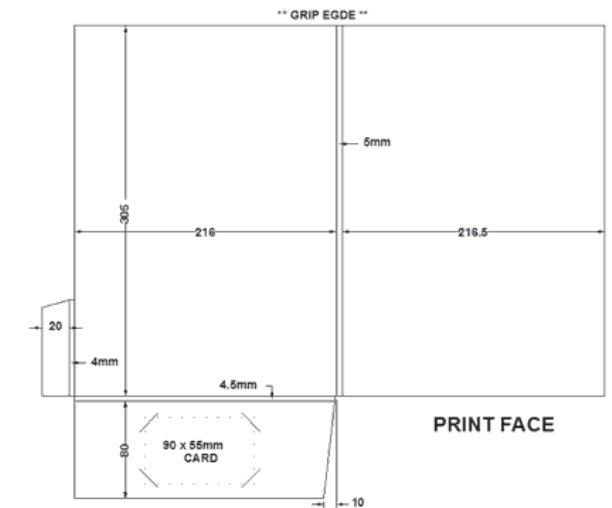
**C4 315 x 225 x 100mm - 8mm Spine**  
 Minimum Sheet Size: 515 x 455mm  
 Glue Flap Pocket- Double Gussets



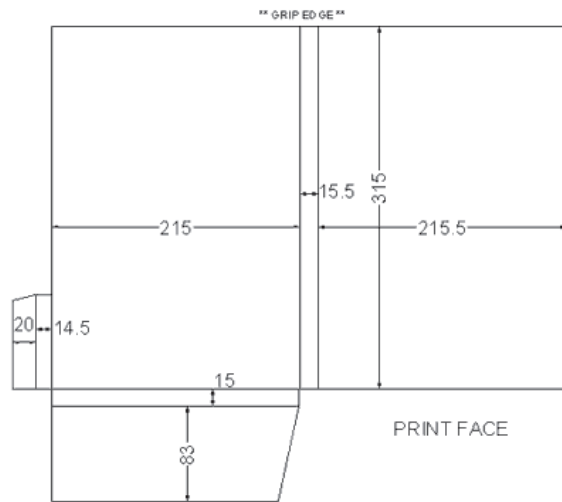
**C5 315 x 230 x 100mm - 10mm Spine**  
 Minimum Sheet Size: 530 x 455mm  
 Glue Flap Pocket- Double Gussets



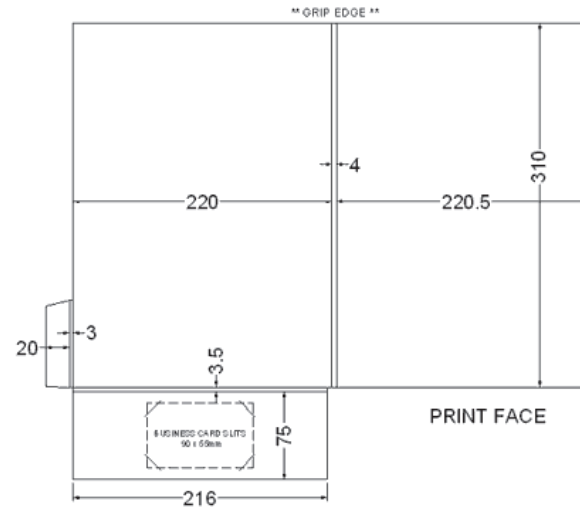
**C6 305 x 216 x 80mm - 5mm Spine**  
 Minimum Sheet Size: 490x 420mm  
 Glue Flap Pocket- Double Gussets



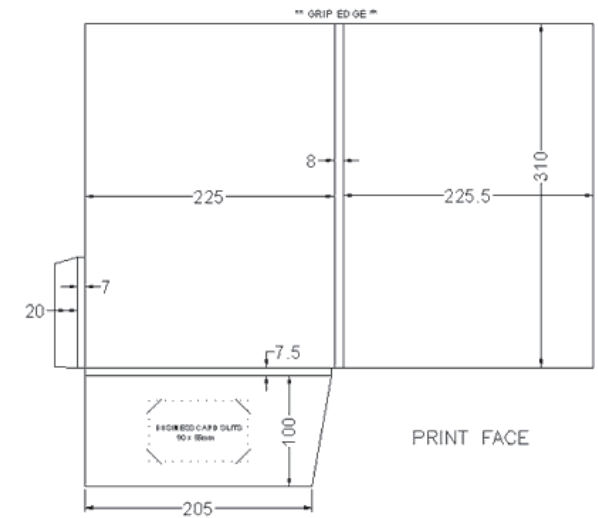
**C7 315 x 215 x 83mm - 15.5mm Spine**  
 Minimum Sheet Size: 510 x 445mm  
 Glue Flap Pocket- Double Gussets



**C8 310 x 220 x 75mm - 4mm Spine**  
 Minimum Sheet Size: 510 x 425mm  
 Glue Flap Pocket- Double Gussets



**C9 310 x 225 x 100mm - 8mm Spine**  
 Minimum Sheet Size: 515 x 455mm  
 Glue Flap Pocket- Double Gussets



**C10 322 x 231 x 100mm - 5mm Spine**  
Minimum Sheet Size: 520 x 460mm  
Glue Flap Pocket- Double Gussets

