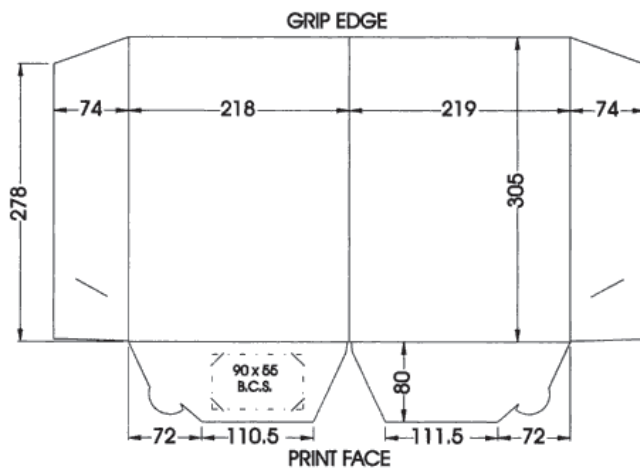
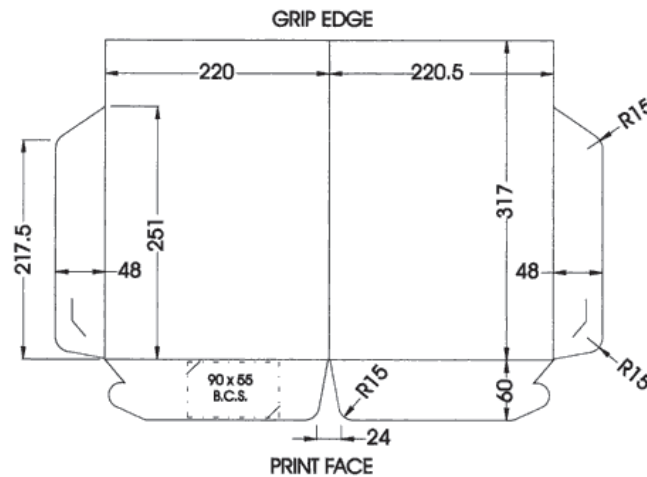


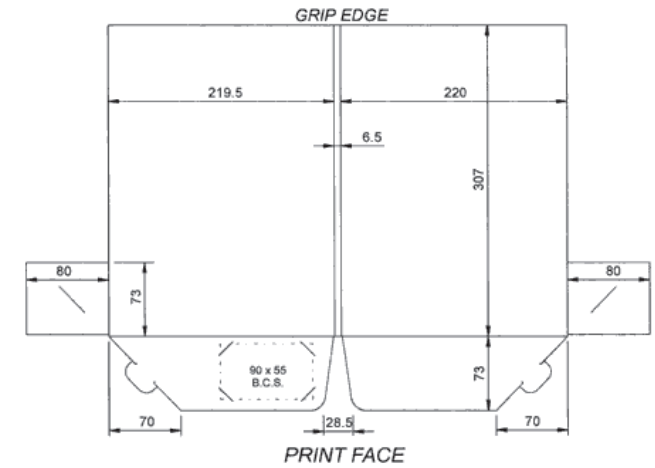
H7 305 x 218 x 80mm
 Minimum Sheet Size: 615 x 415mm
 Double Hand Lock Corner



H8 317 x 220 x 60mm
 Minimum Sheet Size: 565x 410mm
 Double Hand Lock Corner



H9 307 x 220 x 73mm - 6.5mm Spine
 Minimum Sheet Size: 640 x 410mm
 Double Hand Lock Corner



H10 320 x 225 x 70mm - 5mm Spine
Minimum Sheet Size: 625 x 430mm
Double Hand Lock Corner

