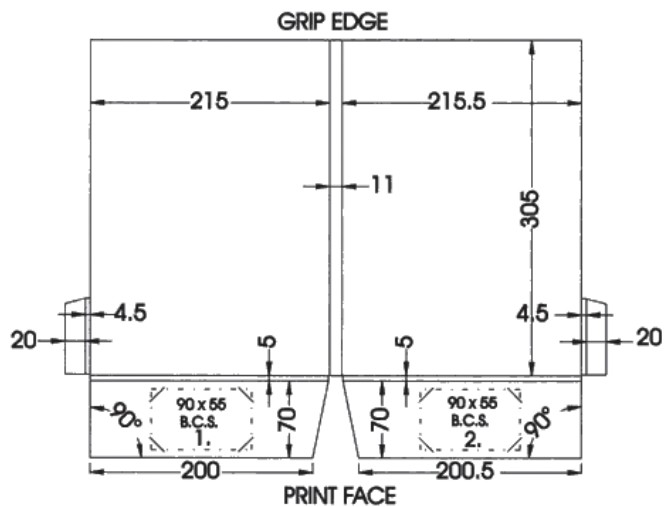
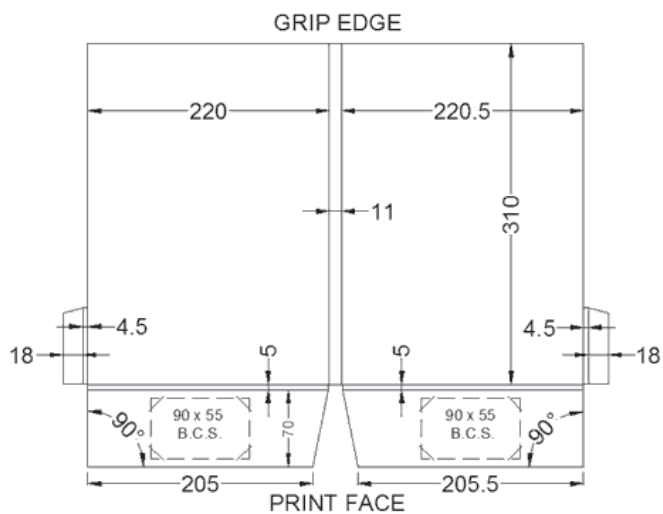


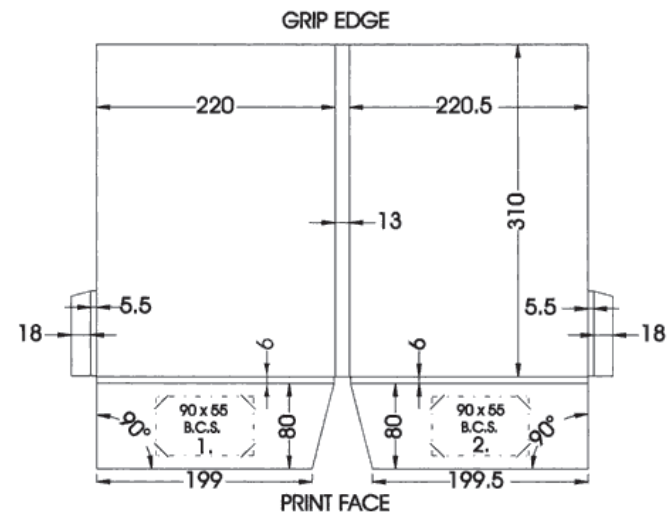
G1 305 x 215 x 70mm - 11mm Spine
 Minimum Sheet Size: 515 x 410mm
 Double Glue Flap Pockets -
 Double Gussets



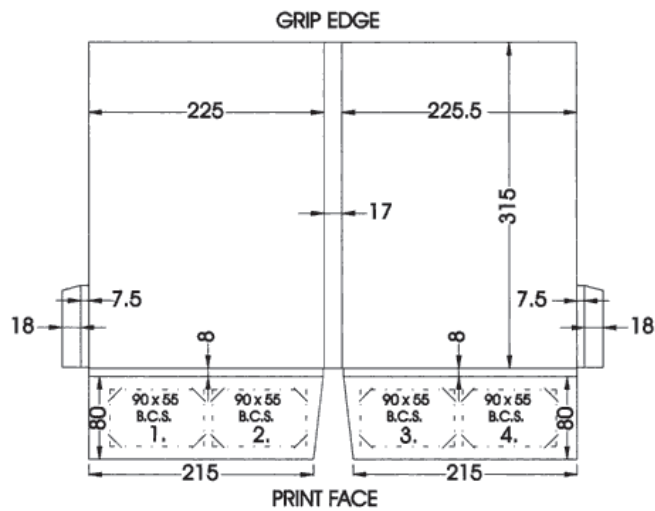
G2 310 x 220 x 70mm - 11mm Spine
 Minimum Sheet Size: 525 x 415mm
 Double Glue Flap Pockets -
 Double Gussets



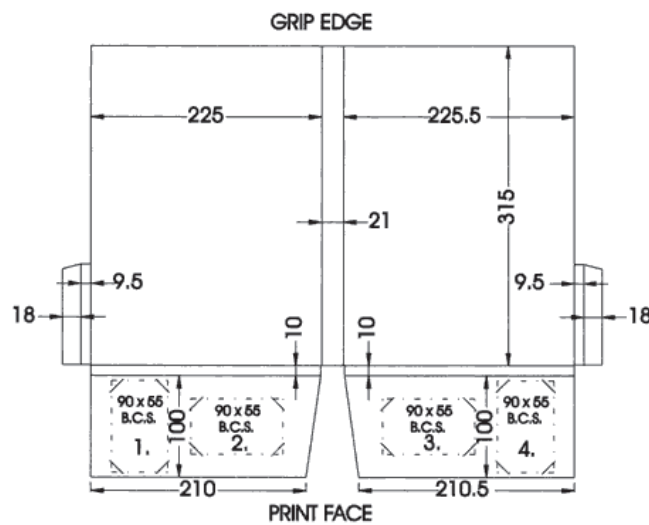
G3 310 x 220 x 80mm - 13mm Spine
 Minimum Sheet Size: 530x 425mm
 Double Glue Flap Pockets -
 Double Gussets



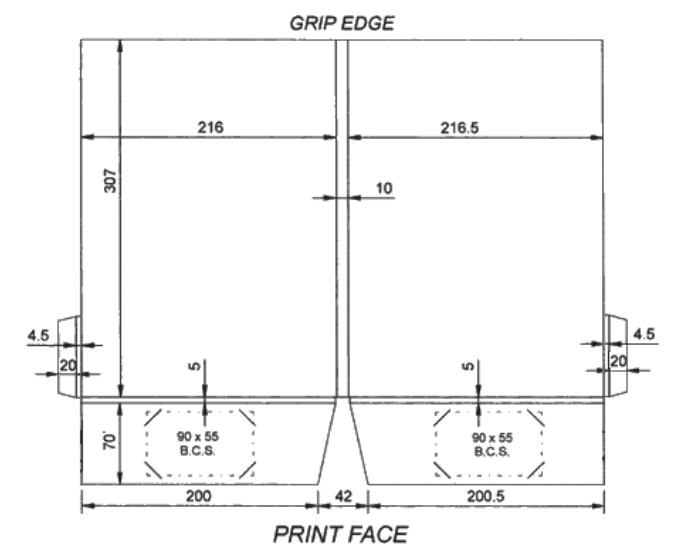
G4 315 x 225 x 80mm - 17mm Spine
Minimum Sheet Size: 550 x 435mm
Double Glue Flap Pockets -
Double Gussets



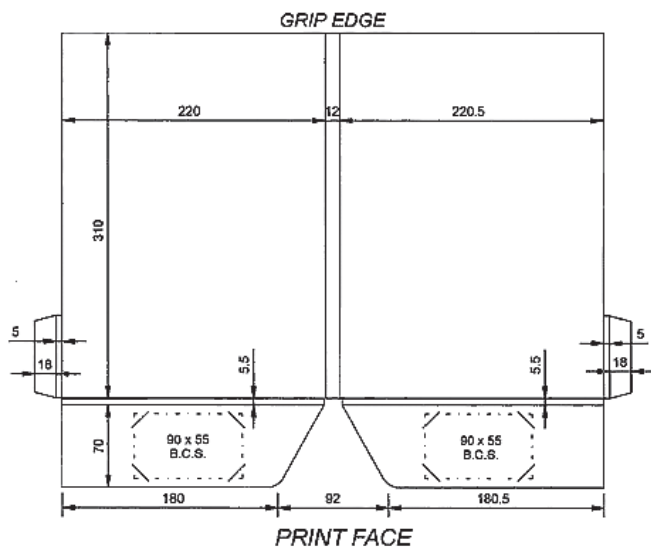
G5 315 x 225 x 100mm - 21mm Spine
Minimum Sheet Size: 555 x 455mm
Double Glue Flap Pockets -
Double Gussets



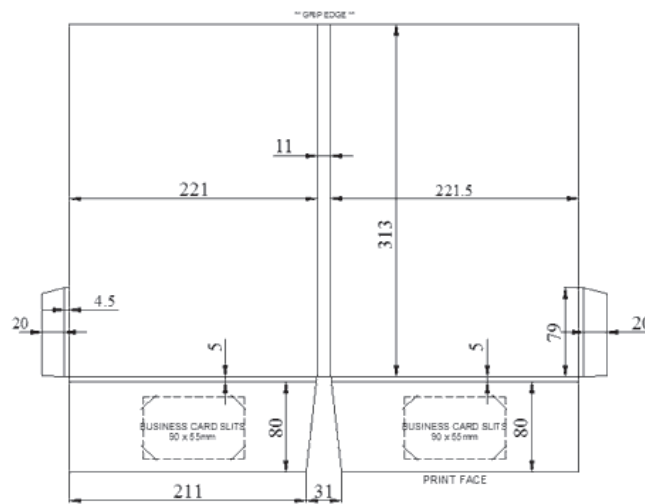
G6 307 x 216 x 70mm - 10mm Spine
Minimum Sheet Size: 515 x 420mm
Double Glue Flap Pockets -
Double Gussets



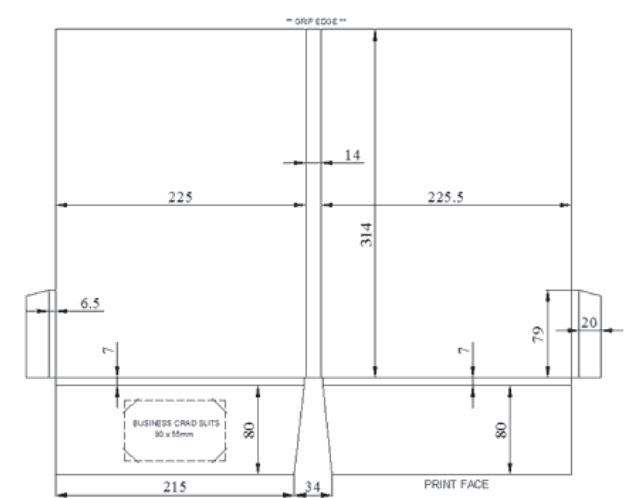
G7 310 x 220 x 70mm - 12mm Spine
 Minimum Sheet Size: 525 x 425mm
 Double Glue Flap Pockets -
 Double Gussets



G8 313 x 221 x 80mm - 11mm Spine
 Minimum Sheet Size: 525 x 435mm
 Double Glue Flap Pockets - Double
 Gussets



G9 314 x 225 x 80mm - 14mm Spine
 Minimum Sheet Size: 545 x 440mm
 Double Glue Flap Pockets - Double
 Gussets



G10 310 x 227 x 117mm - 11mm Spine

Minimum Sheet Size: 545 x 470mm

Double Glue Flap Pockets - Double Gussets

